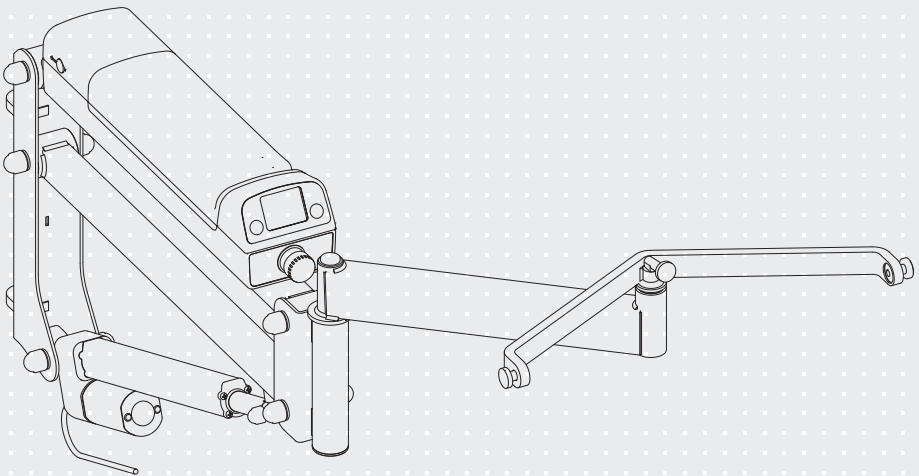




# VELA Person Lift

Manual no. 106953



VELA Person Lift



ISO 9001  
ISO 14001

## TABLE OF CONTENTS

<b>1.0. INTRODUCTION</b>	<b>3</b>
<b>1.1. WARNINGS</b>	<b>4</b>
<b>1.2. TROUBLESHOOTING</b>	<b>5</b>
<b>1.3. SAFETY AND ELECTRONICS</b>	<b>6</b>
1.3.1. Dimensions	6
<b>1.4. LABELS USED ON THE LIFT</b>	<b>7</b>
<b>1.5. SAFETY</b>	<b>8</b>
1.5.1. Load limits	8
1.5.2. Intended use	8
1.5.3. Prerequisites	8
1.5.4. Transport and storage	8
<b>1.6. WARRANTY</b>	<b>8</b>
<b>1.7. UNPACKING AND PREPERATION</b>	<b>9</b>
<b>1.8. MAINTENANCE AND SERVICE</b>	<b>9</b>
1.8.1. Cleaning	10
1.8.2. Avoid deep discharge	10
1.8.3. Prevention of corrosion	10
1.8.4. Service life	10
<b>1.9. RECYCLING AND DISPOSAL</b>	<b>11</b>
<b>2.0. INSTALLATION</b>	<b>12</b>
2.0.1. Installation in car	12
2.0.2. Installation on wall	12
2.0.3. Other electronic devices	12
2.0.4. Installation of lifting bar/lifting arm	12
2.0.5. Installation of body support	13
2.0.6. Lift to and from a sitting position	13
<b>2.1. USER MANUAL</b>	<b>16</b>
2.1.1. Lamps and sound signals	16
2.1.2. Hand control	16
2.1.3. Alternative control	16
2.1.4. Charging/connection	17
2.1.5. Emergency stop	17
2.1.6. Accessories	17
<b>2.2. INSPECTION LOG</b>	<b>18</b>

## 1.0. INTRODUCTION

### DEAR CUSTOMER

Congratulations on your new VELA Person Lift! We are sure this lift will be of great use for you. This user manual provides useful information on adjusting, operating and maintaining your VELA product.

#### **Important**

Please read this user manual carefully and keep it safe for when you need to refer to it. This manual is also available on VELA's website: [www.vela.eu](http://www.vela.eu), where you can also find other relevant information.

If you have questions, experience errors or adverse events, please contact your VELA supplier.

We reserve the right to make changes.

#### **VELA**

Gøteborgvej 8-12  
DK-9200 Aalborg SV  
Denmark  
[www.vela.eu](http://www.vela.eu)

## 1.1. WARNINGS



Use	Read the user manual carefully before using, cleaning or maintaining the VELA Person Lift.
Use	The maximum load must never be exceeded. If the load is exceeded during use, and overload alarm will beep. Unload the device and reset by activating the emergency stop.
Use	The VELA Person Lift must only be used for lifting people.
Use	The VELA Person Lift must not be used during charging.
Use	The lift does not include an emergency lowering device, and must therefore only be used when supervised by an assistant.
Use	The red emergency button must be available for both the assistant and the user, if the user is operating the lift.
Use	Check that all lifting brackets and straps are placed correctly before the lifting function is activated.
Use	If an error occurs on the lift during use, you must discontinue using the lift and contact VELA/your VELA dealer for repairs.
Use	Do not use with low battery.
Use	Charge 24 h before use.
Use	Charge regularly, even when not used to prolong the battery life.
Use	As a lifting device, the VELA Person Lift must be subjected to annual inspection and the body support must be inspected biannually.
Use	Use only when mounted correctly on brackets/suspences approved by VELA or made according to the VELA Mounting Guide.
Use	Do not let the user sit in the body support unattended.
Use	Before lifting, you must ensure that the user cannot be pinched.
Use	Activate the emergency stop when the lift is not used to save standby power.
Use	If electrical interference is experienced, remove other electrical apparatuses until the interference is diminished.

**Important:** In case of overload the VELA Person Lift will emit an alarm (a beeping noise). In this case the lift cannot raise, only lower for safety reasons. Reset the alarm by activating the emergency stop. Afterwards the lift will function normally again. Remember to remove the cause of the overload alarm prior to starting up the VELA Person Lift again. If the alarm continues service is needed.

## 1.2. TROUBLESHOOTING

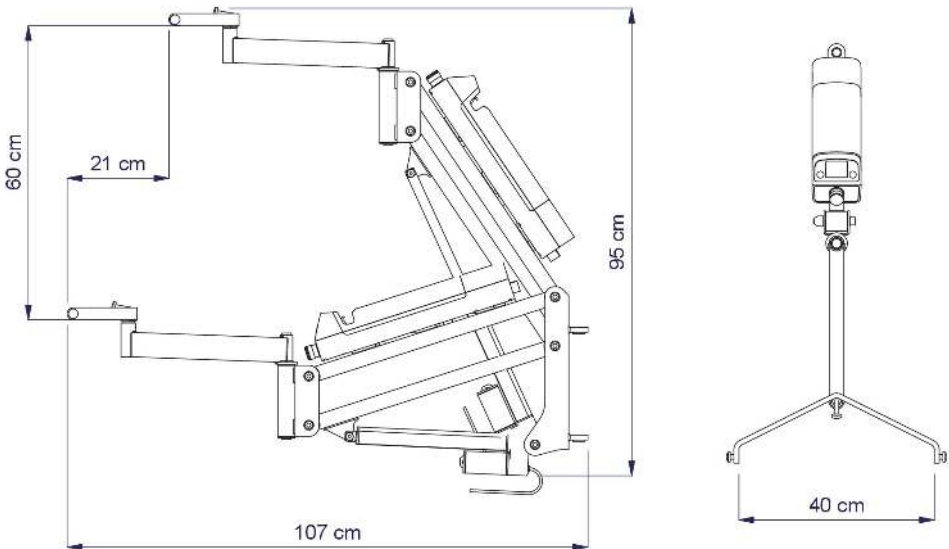
Mistake	Possible cause	Possible Solution
The VELA Person Lift cannot lift and no lights are on	<ol style="list-style-type: none"> <li>1. Emergency stop is activated</li> <li>2. Low battery</li> </ol>	<ol style="list-style-type: none"> <li>1. Disengage the emergency stop, (see 2.1.5.)</li> <li>2. Charge the battery</li> </ol>
The VELA Person Lift cannot lift and lights are on	The cables are loose	Firmly insert the cables in the battery pack, opposite ends of the emergency stop
The VELA Person Lift cannot lift and there is a beeping sound	The lift has been overloaded	Unload the lift. Activate the emergency stop for a few seconds to reset the lift. If it continues to go into overload mode, call for service.
The VELA Person Lift can only lift with the buttons on the battery and not the hand controller	<ol style="list-style-type: none"> <li>1. The cable for the hand controller is loose</li> <li>2. The hand controller is defect</li> </ol>	<ol style="list-style-type: none"> <li>1. Firmly insert the cable into the battery pack</li> <li>2. New hand controller or service is needed</li> </ol>
The VELA Person Lift is very hard to swing	<ol style="list-style-type: none"> <li>1. The lift is placed on uneven surface</li> <li>2. The bushings are worn</li> </ol>	<ol style="list-style-type: none"> <li>1. Place the lift on even ground</li> <li>2. Service is needed</li> </ol>
New, irregular sounds are coming from the lift	The joints or actuator are broken	Service is needed

If the above does not solve your problem, you should contact your VELA supplier.


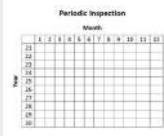

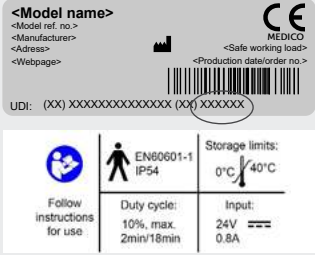
### 1.3. SAFETY AND ELECTRONICS

Emergency stop	Yes
On/off	Automatically when the VELA Person Lift is used
Protection against overload	Automatic
Protection against deep discharge of battery	Automatic
Power supply	24V DC, 10A
Charger	Input: 100-240V – 50/60Hz,0,5A Output: 28V 0,8A
Battery	24VDC/2.9Ah (corresponding to approximately 50 operation cycles depending on conditions)
SWL(safe working load)	125 kg
Duty cycle	Max. 2 min ON/18 min OFF
Charging time	4 hours
Operating temperature	+5°C to +45°C

#### 1.3.1. DIMENSIONS



## 1.4. LABELS USED ON THE LIFT

<p>Icon</p>	<p>Read "Instruction For Use" before use</p> 
<p>Labels on body support</p>	 
<p>Label on lifting bar</p>	<p style="text-align: center;"><b>max 125 kg</b></p> <p style="text-align: center;">For use with VELA Person Lift only</p>
<p>Labels on VELA Person Lift</p>	<p>60 x 22,5 mm</p> <p>The last six digits are the product ID number:</p> <p>The lift's control box, hand control and actuator is IP54 approved, which corresponds to protection against dust and water splashes.</p> 

Labels on the lift should be read at a distance of approx. 40 cm under normal daylight conditions.

For labels related to the operation of the lift, please refer to section 2.1.

## IN GENERAL

### 1.5. SAFETY

This lift is CE marked and complies with applicable EU regulations. The lift is manufactured by:

VELA, Gøteborgvej 8-12,  
9200 Aalborg SV, Denmark.

www.vela.eu

Phone: +45 96 34 76 00

E-mail: mail@vela.dk

#### 1.5.1. LOAD LIMITS

The VELA Person Lift and the body support have a maximum load limit of 125 kg.

#### 1.5.2. INTENDED USE

This device is intended for lifting a seated patient that lacks the capacity to get in and out of a vehicle or wheelchair without assistance

#### 1.5.3. PREREQUISITES

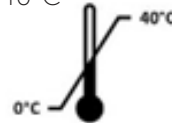
When the VELA Person Lift is used, it is a prerequisite that:

- :: The VELA Person Lift is used by qualified personnel/users.
- :: An assistant is required for operating the lift.
- :: That the maximum lifting capacity of 125 kg (SWL) is never exceeded.
- :: The assistant must be attentive to the user's well-being during lifting.
- :: Screws that are approved and tested with regards to DS/EN 10535 are used.

- :: Installation and testing of the screws must solely be executed by trained assemblers.
- :: The VELA Person Lift must only be used together with the included lifting bar.
- :: The VELA Person Lift must only be used together with a body support.

#### 1.5.4. TRANSPORT AND STORAGE

The VELA Person Lift should be stored under the following conditions:  
0°C to +40°C



Daily use temperatures +5°C to +45°C



### 1.6. WARRANTY

VELA grants a right of claim under applicable law in the country where the lift is acquired. The right of complaint applies only when using original spare parts and accessories, as well as customisations made by professionals.

**Note:** if an exclusive contractual agreement has been made directly with VELA, this applies!  
VELA assumes no liability for damages to the product or the user caused by:



- :: Transportation
- :: Misuse
- :: Normal wear and tear
- :: Wrong use
- :: Use of spare parts and accessories that are not original VELA products
- :: Adjustments made by unauthorized service technicians

### **1.7. UNPACKING AND PREPERATION**

The product comes in recyclable and environmentally friendly packaging.

In case of defects or transport damage to the person lift, please contact your VELA supplier right away. In such cases, do not attempt to use the lift or to fix it yourself.

#### **On delivery you have received:**

- :: The VELA Person Lift frame with a battery pack
- :: Battery (is to be applied to the control box)
- :: Hand control
- :: Battery charger
- :: Lifting bar and lifting arm
- :: Body support
- :: Mounting kit for car

- :: Instructions for use

The VELA Person Lift is provided with a battery, which requires regular recharging. The charger is connected to a regular power grid by the user/assistant. Charge the battery for 24 hours before first use!

#### **Button for emergency stop**

The VELA Person Lift is delivered with the emergency stop activated. This is done, so that the battery is not discharged due to prolonged storage. Deactivate the emergency stop by turning the button until it jumps up.

### **1.8. MAINTENANCE AND SERVICE**

VELA recommend, cf. EN/ISO 10535, that an inspection of the VELA Person Lift is done at least once a year, and that an inspection of the body support is done according to the service instructions provided by VELA.

The inspection must be done accordingly to our instructions by trained personnel. A service agreement can be made with VELA.

During the inspection, one must keep a log regarding what is being inspected and what is being replaced.

- :: Parts that are worn or malfunctioning must be replaced by original parts from VELA.
- :: Spare part drawings and accessory lists can be acquired from VELA.

:: An inspection log can be found at point 2.2 in this user manual.

### 1.8.1. CLEANING

We recommend that the product and the parts that the user and the assistant can come into contact with, are cleaned using a cloth wringed out with regular cleaning detergent.

**Note:** Strong acids, alkalines and alcohol may not be used for cleaning the VELA Person Lift.

Furthermore, autoclaving may not be used for cleaning the VELA Person Lift.

### The body support

The body support (100% polyester) must be cleaned following the instructions found on the body support.



Wash by hand - Do not bleach



Do not tumble dry - Drip line drying



Do not iron - Do not dry clean



Do not professional wet clean

### 1.8.2. AVOID DEEP DISCHARGE

If the VELA Person Lift is taken out of operation for a prolonged period, the emergency stop must be activated (the red button must be pressed inwards). This ensures that the battery is not discharged.

The battery must charge for 24 hours before the VELA Person Lift is used again.

### 1.8.3. PREVENTION OF CORROSION

If the VELA Person Lift gets wet during use, it should be wiped before storage.

Do not use the body support if it is damaged.

Check the seams, bands, material, suspension brackets and the readability of the label on the body support.

### 1.8.4. SERVICE LIFE

The VELA Person Lift has an expected life service of 10 years, under the prerequisite that it is used correctly and that the annual servicing is done.

The service life depends on how often the lift is used, and how much the user weights (max. 125 kg).

The body support is not a part of the 10 year service life.

The body support must be controlled at least every 6th month by professionals – see the inspection label on the body support.

### 1.9. RECYCLING AND DISPOSAL

This product contains recyclable materials. Therefore, the product must be disposed of according to the local legislation, and not disposed alongside regular household waste. Correct disposal and recycling contribute to the prevention of the negative environmental effects.

**Note:** Electrical and electronic equipment and included batteries containing materials, components and substances, can be harmful to human health and to the environment, if the waste is not handled correctly.



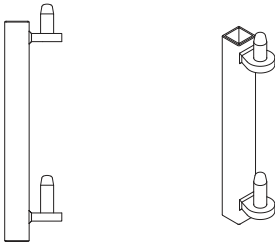
Electrical and electronic equipment and batteries are marked with the WEEE icon. This symbolises that electrical and electronic equipment and batteries may not be disposed alongside unsorted household waste, but must be collected separately (see icon above).

It is important that you deliver your waste batteries to the established authorities. In this way, you can ensure that the batteries are recycled according to the legislation, and that they don't stress the environment unnecessarily.

## 2.0. INSTALLATION

### 2.0.1. INSTALLATION IN CAR

The VELA Person Lift mounting kit must be customised to fit a specific car door hinge. This must be done according to instructions provided by VELA and must be done by professionals.



Scan the QR code to download the instruction for customisation of the mounting kit to a specific vehicle.



**Attention!** VELA take no responsibility for scratches and damages to the car.

### 2.0.2. INSTALLATION ON WALL

The wall bracket must be mounted vertically. Fasteners are not included since they depend on the type of wall intended for mounting.



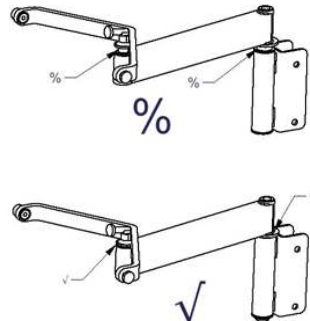
**Attention!** You may need to obtain permission by the homeowner regarding the installation.

### 2.0.3. OTHER ELECTRONIC DEVICES

The VELA Person Lift can affect other electrical apparatuses and hence should not be closer than 30 cm to other electrical apparatuses, such as mobile phones etc.

### 2.0.4. INSTALLATION OF LIFTING BAR/ LIFTING ARM

Place the lifting bar and the lifting arm and check whether the bearings are placed firmly on the contact surfaces before use.



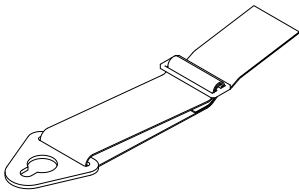
### 2.0.5. INSTALLATION OF BODY SUPPORT

A body support with four lifting straps is used.

Check whether the body support fits the user (maximum weight of 125 kg including the body support (etc.)), and that the body support is oriented in the correct direction with its label point upwards and outwards.

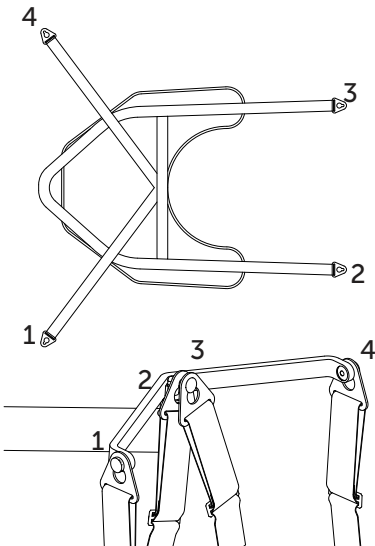
The length of the straps can be adjusted with the sliding buckle (see picture A).

A



Mount the body support according to the number guide illustrated in the pictures below (see picture B).

B



VELA take no responsibility for errors and accidents that occur, due to using a body support from another manufacturer.

VELA take no responsibility for errors and accidents that occur, due to the body support not being used correctly, or due to lack of vigilance from the assistant and/or the user.

### 2.0.6. LIFT TO AND FROM A SITTING POSITION

In the case of lifting from a manual wheelchair, the wheelchair must be placed as close as possible to the VELA Person Lift which is mounted onto the car's door hinge, and the wheelchairs brakes must be engaged.

- :: The lifting bar must be at same height as the chest and must not come in contact with the user.
- :: The lifting bar must be placed parallel with the shoulders of the user.
- :: The body support must be placed between the user and the backrest of the wheelchair.
- :: The lifting straps centering point must be adjacent to the spine of the user (the red sewing at the top of the body support).
- :: The leg straps are placed forward along the outside of the thigh and under the thigh between the kneecap and the hip joint.

After this, the two straps between the legs must be placed on the middle pivot on the lifting bar. The straps from the back must subsequently be placed on each of their pivots in the right and left side.

Prior to each lift one must check the battery status and also check the body support and straps for damages.

**Important!**

Only people that have received detailed instructions regarding the use of the lifting equipment and the attachment of body supports, should use the VELA Person Lift.

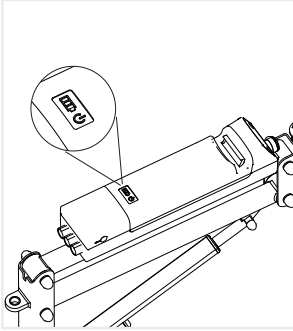
- :: Plan the relocation and park the car on a flat surface.
- :: Do not let the user sit in the body support unattended.

The VELA Person Lift is a powerful lifting module. Before lifting, you must ensure that the user cannot be pinched. The user's head, arms, hands and feet must not be prone to pinching or getting stuck.

Check that the cable on the hand control is not pinched, when the body support is moved up and down. The user only needs to be lifted slightly from the wheelchair/surface and can be moved at this height if possible.



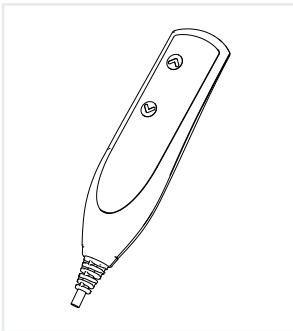
## 2.1. USER MANUAL



### 2.1.1. LAMPS AND SOUND SIGNALS

The battery will make a sound signal once it needs charging (60dB).

The battery will make a constant, beeping sound until it is put to charge. Check the battery indicator on the battery before every lift.

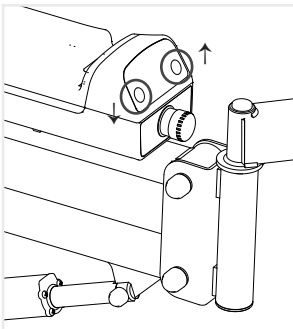


### 2.1.2. HAND CONTROL

The hand control only has two functions: Upwards arrow for moving the lift upwards and downwards arrow for moving the lift downwards.

Operation of the functions require a push force of 4N (newton).

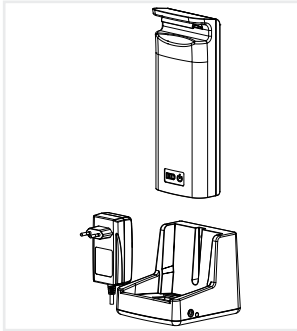
Note: Check whether all lifting brackets and straps are placed correctly before the lifting function is activated.



### 2.1.3. ALTERNATIVE CONTROL

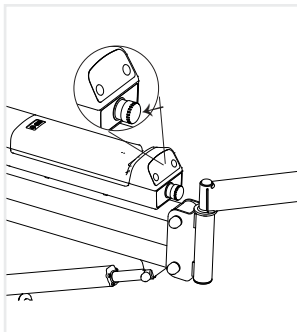
It is also possible to adjust the height function via the two buttons next to the emergency stop on the motor.





### **2.1.4. CHARGING/CONNECTION**

The battery will make a constant, beeping sound once it needs to be charged. You can see the power status on the battery indicator. The battery can be charged directly in the VELA Person Lift by using the included charger which must be connected to the power grid. You can also dismount the battery and bring it to the charging cradle, where the battery can be placed standing. The battery is dismounted by pressing the metal handle inwards. The charger will have a yellow light when charging and a green light once it is fully charged.



### **2.1.5. EMERGENCY STOP**

Emergency stop can be used in case of emergency situations. If the emergency stop is used, identify and solve the cause before using the person lift again. The red button must be pressed in order to activate the emergency stop. The red button must be turned counter clockwise in order to deactivate the emergency stop. For safety reasons, the emergency stop activates automatically if the maximum load of 125 kg is exceeded.

The emergency stop can also be used to minimise standby power when the VELA Person Lift is not used.

### **2.1.6. ACCESSORIES**

See the list of accessories for further details on [www.vela.eu](http://www.vela.eu)

## 2.2. INSPECTION LOG

The VELA Person Lift must be inspected once a year according to the instructions provided by VELA.

The VELA Person Lift is initially inspected by VELA – the week/year for the control is stated on the lifts id label.

Inspection of VELA Person Lift:

Inspection	Notes	Date and signature
01		
02		
03		
04		
05		
06		
07		
08		
09		
10		

The body support is inspected before each use and least every 6th month.

Inspection of body support:

Inspection	Notes	Date and signature
01		
02		
03		
04		
05		
06		
07		
08		
09		
10		
11		
12		
13		
14		
15		
16		
17		
18		
19		
20		

