

malte. & malte outdoor.



Instructions for use.

malte. & malte outdoor.

The compact and versatile posterior walking aids.


schuchmann®

Thank you.



Dear Customer,

At this point we would like to thank you for placing your trust in our company and for choosing our product. We ask you to read through the Instructions for use carefully prior to initial commissioning of the product, and to observe them. Please note that guidelines and representations in these Instructions for use may deviate from your product due to differing equipment.

We reserve the right to make technical modifications.

Important information!

Ensure that these Instructions for use remain with the product..

Your **schuchmann**-Team



1. Preparation.	05
1.1 Delivery	05
1.2 Safety measures prior to use	05
1.3 Safe disposal	05
1.3.1 Packaging	05
1.3.2 Product	05
1.4 Where to store the Instructions for use	05
2. Product description.	06
2.1 Material information	06
2.2 Handling / transport	06
2.3 Application areas, use according to the intended purpose	06
2.4 Use not in accordance with the intended purpose / warning guidelines	07
2.5 Equipment for basic model	07
2.6 List of accessories	07
2.7 Product overview	08
3. Settings.	09
3.1 Closing / folding up the frame	09
3.2 Handles	10
3.2.1 Handle height adjustment	10
3.2.2 Setting the handle width	10
3.3 Direction locks	11
3.4 Combined pelvis and buttocks pelotte pads	11
3.5 Storage basket	12
3.6 Tip protector	13
3.7 Bench	13
3.8 Lower armrests	14
3.9 Handle / grip ball for lower armrests	15
3.10 Friction brake	15
3.11 Parking brake	15
3.12 Bar	16
3.13 Deflector	17
3.14 Backwards stop	17
4. Repairs and cleaning.	18
4.1 Cleaning	18
4.2 Repairs	18
4.3 Spare parts	18
4.4 Duration of use and re-use	18
5. Technical data.	19



6. Guarantee.	21
7. Identification.	22
7.1 EC declaration of conformity.....	22
7.2 Serial number / date of manufacture.....	23
7.3 Product version	23
7.4 Issue of the document	23
7.5 Name and address of the manufacturer, specialist dealer supplying the product	23

1. Preparation.

1.1 Delivery

On receiving the product, please check it for completeness, lack of faults and check it for any transport damage. Inspect the goods in the presence of your forwarder. Should transport damage have occurred, please arrange for an inventory (determination of the faults) to be made in the presence of the forwarder. Please send a complaint in writing to the specialist dealer responsible.

1.2 Safety measures prior to use

Correct usage of the respective posterior walker requires precise and careful instruction of the accompanying person. We ask you to read through the Instructions for use carefully prior to first use of the posterior walker, and to observe them. Cushioned parts may become warm when exposed to direct sunlight. Cover these parts or protect the equipment from direct sunlight.

1.3 Safe disposal

In order to preserve and protect the environment, to prevent environmental pollution, and to improve the recycling of raw materials, please note the disposal instructions (**1.3.1** and **1.3.2**).

1.3.1 Packaging

The product packaging should be stored in case the product needs to be transported again. Should you have to return the product for repairs or in case of a guarantee claim, please if possible use the original box so that the product is optimally packaged. Separate the packaging materials for recycling according to their classification. Do not leave packaging materials unattended, as they are a possible source of danger.

1.3.2 Product

Separate the raw materials used in the product for recycling according to their classification (see material information under **2.1**).

1.4 Where to store the Instructions for use

Please store these Instructions for use carefully and ensure that these Instructions for use remain with the product in case of re-use.



2. Product description.

2.1 Material information

The base frame and the individual elements are made of aluminium which is non-corroding and powder-coated. The body supports and lower arm-rests are made of PU. The seat is padded and covered. The padding is made from 100% polyester and is flameretardant (in line with DIN EN 1021-1+2).

2.2 Handling / transport

The posterior walker is not designed to be carried, as it is fitted with wheels. Should you have to carry the equipment due to obstacles, ensure that all moving parts are tightened. Stand next to the posterior walker, hold on to the left and right handles and lift it over the obstacle. To transport the posterior walker, fold the frame (see **point 3.1**).

The frame of the **malte**. size 0 mini cannot be folded! In this case, set everything at its most compact (fold up bench, set handles to lowest setting etc.) Lift the compact unit by stepping between the frame from the rear and then holding on to it on the left and right.

2.3 Application areas, use according to the intended purpose

Indications

The posterior walker **malte**. and **malte outdoor**. have been designed for children and teenagers to compensate for reduced strength or ability of the lower extremities using force/support from the upper extremities (possibly also the torso). The aim is to learn active walking or independent movement, expansion of a restricted radius and compensation of unsteady walking.

The posterior walker **malte**.and **malte outdoor**. are pulled behind the head. This increases backward stability and offers optimum freedom of leg movement due to the abducted frame design.

Contraindications

In general, the indications for walking training should be approved by a doctor or orthopedist. It should therefore be clarified prior to procurement whether contraindications exist for the patient. In general, any type of pain represents a contraindication. Walking training should not be provided without establishing prior to use whether the patient has an abnormal foot position, which requires medical attention.

2. Product description.

2.4 Use not in accordance with the intended purpose / warning guidelines

- Correct usage of this product requires precise and careful training of the accompanying person.
- The product may not be used without supervision.
- **malte.** may only be used indoors on solid, even ground. Please use the **malte outdoor.** for outdoor areas.
- The max. height adjustment is specified by a marking – no settings may be made beyond this range.
- Please observe **point 5** „Technical data“ in these Instructions for use for the maximum permitted patient weight.
- After all adjustments, firmly re-tighten the screw connections you have loosened!
- Hanging on heavy bags or other items can have a negative impact on stability.
- Only use accessories and spare parts made by Schuchmann, otherwise you will endanger the child.
- Please ensure that none of the user's extremities are in the respective area when making adjustments to avoid the risk of injury.
- Users who have difficulty reading must have someone read these Instructions for use aloud so that they understand how to use the product.

2.5 Equipment for basic model

- Lightweight, folding aluminium frame (**malte.** size 0 mini does not fold down)
- Individually height and width adjustable handles
- EVA guide wheels with direction locks
- EVA rear wheels with integrated backwards stop in the hub, which can be switched off (**malte.**)
- EVA rear wheels (**malte outdoor.**)
- Drum brake incl. parking handbrake (**malte outdoor.**)

2.6 List of accessories

- End stops for handles
- Combined pelvis and buttocks pelotte pads
- Back pelotte pad with chest strap
- Folding bench
- Tip protector
- Storage basket
- Deflector set (**malte.**)
- Parking handbrake (**malte.**)
- Lower armrests with handles (**malte.**)
- Lower armrests with grip balls (**malte.**)
- Friction brake
- Bar (**malte.**)
- Backwards stop (**malte outdoor.**)



2. Product description.

2.7 Product overview

The figures below are intended to show you the designation of the most important components as well as the terms which you will find in these Instructions for use.

**Lower armrests
with handles**

**Combined pelvis and
buttocks pelotte pads**

Bench

**Lightweight, folding
aluminium frame**

**EVA guide wheels
with direction locks**



Bench

**Lightweight, folding
aluminium frame**

**EVA rear wheels with
drum brake**

Parking brake

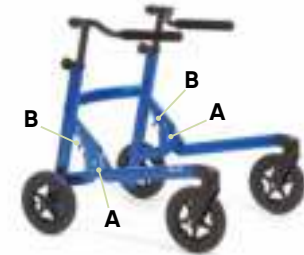


3. Settings.

Settings and adjustments to the product or accessories may only be made by people who have been given the necessary instructions by a medical product advisor. Please ensure that none of the user's extremities are in the respective area when making adjustments to avoid the risk of injury.

3.1 Closing / folding up the frame

The frame can be folded for easy transportation or better storage of the posterior walker using hinges (A). Stand or crouch down behind the posterior walker to fold the frame down. Pull both releases (B) at the same time and press the frame down (C).



To unfold, pull both releases (C) and set the frame up again. The posterior walker is ready to use again as soon as both hinges have locked in with an audible click.



The frame of the malte. size 0 mini cannot be folded down!



It is essential that hinges lock back in when unfolding!



For malte. size 4 another safety pin (C) is installed!



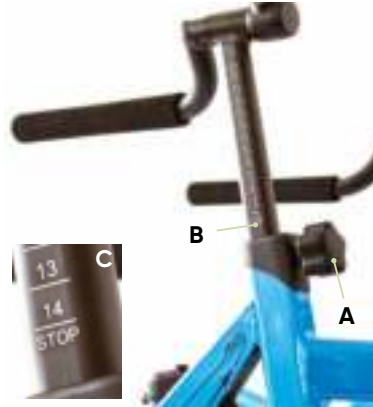
3. Settings.

3.2 Handles

The handles can be individually adjusted in height and width for adjustment to individual body size.

3.2.1 Handle height adjustment

To adjust the height, please loosen the star handles (A), bring the handles into the required position and then re-tighten the star handles. A gauge (B) permits precise height adjustment of the handles. Make sure that the handle is not pulled out of the handle mount beyond the STOP marking (C) as sufficient clamping can no longer be guaranteed in this case. The height can also be changed by using the width adjustment (see 3.2.2).



The handles may not be pulled out of the handle mount beyond the STOP mark!

3.2.2 Setting the handle width

To adjust the width, please loosen the cylinder head screw with inner hexagon (D), bring the handles into the required position and then retighten the cylinder head screw with inner hexagon. As previously mentioned in **point 3.2.1**, the handle height can also be changed by adjusting the width (E).



After each adjustment, please re-tighten all screw connections!



3. Settings.

3.3 Direction locks

It is possible to drive straight ahead by locking the guide wheels. To release the guide wheels lock, pull the direction lock (A) gently upwards and turn it a quarter turn to the left or right. The guide wheels can now move freely and allow independent steering. Pull the direction lock (A) gently upwards and turn it a quarter turn to the left or right again to apply the guide wheels lock. The direction locks click back in as soon as the guide wheels are aligned straight.



3.4 Combined pelvis and buttocks pelotte pads (optional for malte. and malte outdoor.)

The combined pelvis and buttocks pelotte pad is padded with PU and helps the user straighten up when walking. It can be adjusted in height, depth, width and angle and can also be swung away to the back.

Height adjustment

The height of the combined pelvis and buttocks pelotte pad can be adjusted with the handles (B – also refer to **point 3.2.1**). The height can also be adjusted by loosening the screws (C).



3. Settings.

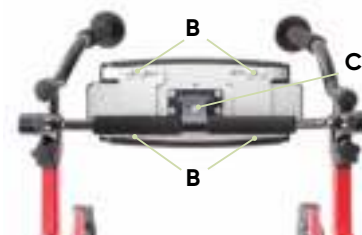
Depth adjustment

Loosen the 2 grub screws (A) and bring the combined pelvis and buttock pelotte pads into the required position.



Width adjustment

The pelvis pelotte pad on the combined pelvis and buttocks pelotte pad can be adjusted in width after loosening the screw connections (B).



Adjustment of the angle

Loosen the cylinder head screw (C) to adjust the angle of the combined pelvis and buttocks pelotte pad.

Swinging away

If the combined pelvis and buttocks pelotte pad is not required, it can be simply swung away to the back (D).



After each adjustment, please re-tighten all screw connections!

3.5 Storage basket

(optional for malte. and malte.outdoor.)

The storage basket can be used to transport small objects and improves the look of the posterior walker. The storage basket has a fixed shape and cannot be adjusted. The maximum load of 5 kg must not be exceeded.



3. Settings.

3.6 Tip protector (optional for **malte.** and **malte outdoor.**)

Due to the fact that children sometimes instinctively want to let themselves fall backwards, **malte.** and **malte outdoor.** can be equipped with a tip protector. The tip protector serves to protect against tipping backwards if the user leans too far back. It cannot be adjusted.



3.7 Bench (optional for **malte.** and **malte outdoor.**)

The bench is padded and covered. If the bench is not required, it can be folded up at the back (A) to provide more space when walking. Simply lift the bench gently and fold it backwards. Simply fold it back down to the use the bench again.



You cannot affix a bench to the malte. mini size 0!



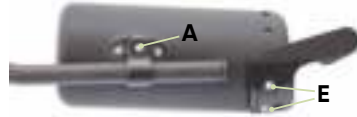
Please note the maximum load (see point 5)!



3. Settings.

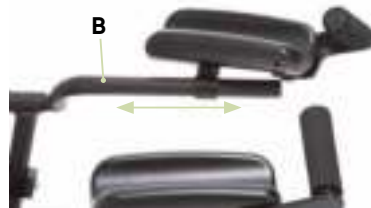
3.8 Lower armrests (optional for malte.)

The lower armrests can be equipped with a handle or grip ball. They can be adjusted in depth, height, angle and inclination.



Depth adjustment

Loosen the cylinder head screw with inner hexagon (A) beneath the lower armrest. Now you can slide it onto the pipe (B) and bring it into the required position.



Observe the adjustment mark on the tube (B).

Height adjustment

The handles are used to set the height (see **points 3.2.1 + 3.2.2**).

Adjustment of the angle

The angle (C) is set using a locking hinge. Loosen the cylinder head screw with inner hexagon (A) beneath the lower armrest and bring the lower armrest into the required position.



Angle adjustment

Loosen the cylinder head screw with inner hexagon (A) beneath the lower armrest to set the inclination (D) and bring the lower armrest into the required position.



3. Settings.

3.9 Handle / grip ball for lower armrests (optional for malte.)

Loosen the hexagon socket screws (E) and bring the grip (F) or grip ball (G) into the required position.



After each adjustment, please re-tighten all screw connections!



3.10 Friction brake (optional for malte.)

The function of the friction brake is to slowly reduce the speed of the rear wheel rollover. By turning screw A (loosen lock nut B beforehand) in and out, you can adjust the pressure the friction brake has on the wheel and therefore the wheel rolling speed.



After each adjustment, please re-tighten the lock nut!



3.11 Parking brake (optional for malte.)

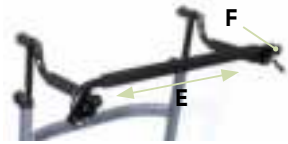
For **malte outdoor**, the parking handbrake is included in the basic model. Against unintentionally rolling away and for a secure footing the posterior walker can be equipped with a parking handbrake. Please pull the brake lever (C) and lock into the red catch (D). To release, please pull the lever again (C) and pull at the same time the red pawls (D).



3. Settings.

3.12 Bar (optional for malte.)

The bar serves as a horizontal connection between the handles and supports an upright walking position. It can be adjusted in depth and height and can be swung away.



Depth adjustment

Gently loosen the screws on both clamping devices (**E**) and bring the bar into the required position then re-tighten the screws.

Height adjustment

The handles are used to set the height (see **point 3.2.1**).

Swinging the bar away

Pull the locking bolts (**F**) out and swing the bar away to the side.



A bar cannot be used for malte sizes 0 + 4 and in combination with lower armrests (see point 3.8)!



After each adjustment, please re-tighten all screw connections!

3. Settings.

3.13 Deflector (optional for malte.)

The deflector is used to protect the product and the environment. The deflector prevents damage in the case of the user walking into furniture, objects etc. when using the **malte**. The deflector is premounted and cannot be adjusted.

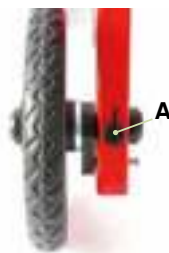


3.14 Backwards stop (optional for malte outdoor.)

Due to the fact that children sometimes instinctively want to let themselves fall backwards, **malte** is equipped with backward locks as standard and therefore gives optimum support. It is an optional accessory for **malte outdoor**. The backwards locks are integrated in the rear wheels and can be activated or deactivated depending on the situation.

Activating the backwards stop

Turn the locking bar by a half turn upwards (A) and move the wheel backwards until the locking bar audibly clicks in.



Deactivating the backwards stop

Turn the locking bar a half turn downwards (B) until it is held in place by the catch.



4. Repairs and cleaning.

4.1 Cleaning

All frame elements and surfaces can be cleaned with a sponge or moist cloth using normal antibacterial household detergents. Please also pay attention to our general cleaning and hygiene advice. You can find them at www.schuchmann.de/malte.



Do not use aggressive cleaning agents such as solvents, hard brushes etc.

4.2 Repairs

Please carry out a daily visual inspection and check the respective posterior walker regularly for cracks, breaks, missing parts and malfunctions. In case of a defect or malfunction, please contact the specialist dealer who supplied you with the product (see **point 7.5**).

4.3 Spare parts

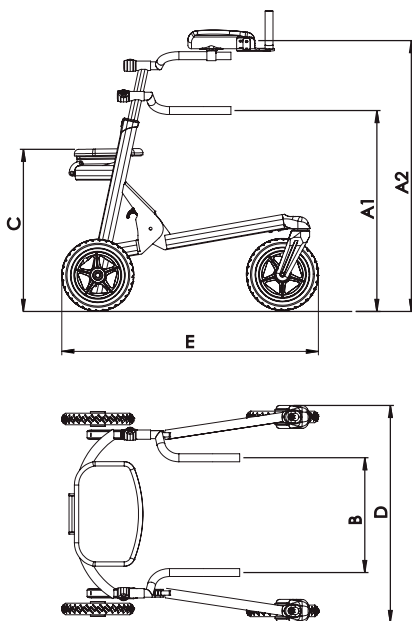
Only use original accessories, otherwise the guarantee will be lost. Should you wish to order spare parts, please contact the specialist dealer who supplied you with the walker, stating the serial number of the posterior walker (see **point 7.5**). Necessary spare parts and accessories must only be installed by trained personnel.

4.4 Duration of use and re-use

The expected duration of use of our product, dependent on the usage intensity and amount of re-use, totals up to „8“ years, providing the usage takes place in accordance with the information in these Instructions for use. It may be possible to use the product over and above this time period if it is in a safe condition. The expected duration of use does not refer to wear parts, such as wheels, parking brake, hinges..... The maintenance and evaluation of the condition, and if applicable the potential for re-use, must be decided by the specialist trader. The posterior walkers are suitable for re-use. Prior to forwarding on, please follow the cleaning instructions in **Chapter 4.1**. Accompanying documents such as these Instructions for use are part of the product and must be passed on to the new user. No disassembly is required prior to re-use. In the case of storage, it is recommended to fold the product frame (see **point 3.1**) to the smallest dimension to save space.

5. Technical data.

Dimensions - malte. basic model



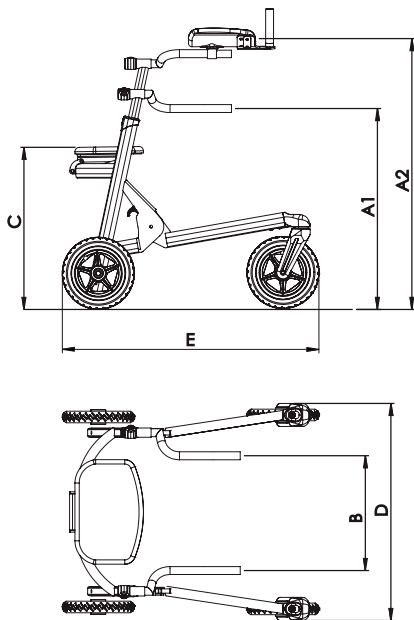
		Size 0*	Size 1	Size 2	Size 3	Size 4
A1	Handle height	29 - 53 cm	34 - 58 cm	51 - 75 cm	68 - 94 cm	87 - 113 cm
A2	Height of lower arm-rests	-	46 - 70 cm	63 - 87 cm	79 - 103 cm	98 - 124 cm
B	Handle spacing	22 - 36 cm	22 - 36 cm	30 - 44 cm	38 - 52 cm	43 - 57 cm
C	Seat height	-	33 cm	45 cm	60 cm	70 cm
D	Total width	52 cm	51 cm	61 cm	68 cm	75 cm
E	Total length	58 cm	58 cm	70 cm	77 cm	87 cm
	Frame height (folded)	37 cm	25 cm	32 cm	34 cm	37 cm
	Transport dimensions (L x W x H)	58 x 52 x 37 cm	58 x 51 x 25 cm	70 x 61 x 32 cm	77 x 68 x 34 cm	87 x 75 x 37 cm
	Max. load	20 kg	30 kg	50 kg	75 kg	100 kg
	Weight	3,9 kg	7,1 kg	8,3 kg	8,5 kg	10,2 kg

* Frame cannot be folded up



5. Technical data.

Dimensions - malte outdoor. basic model



		Size 1	Size 2	Size 3
A1	Handle height	34 - 58 cm	51 - 75 cm	68 - 94 cm
A2	Height of lower arm-rests	46 - 70 cm	63 - 87 cm	79 - 103 cm
B	Handle spacing	22 - 36 cm	30 - 44 cm	38 - 52 cm
C	Seat height	33 cm	45 cm	60 cm
D	Total width	56 cm	66 cm	73 cm
E	Total length	66 cm	75 cm	82 cm
	Frame height (folded)	25 cm	32 cm	34 cm
	Transport dimensions (L x W x H)	66 x 56 x 25 cm	75 x 66 x 32 cm	82 x 73 x 34 cm
	Max. load	30 kg	50 kg	70 kg
	Weight	7,1 kg	8,3 kg	9,8 kg

6. Guarantee.

The two-year statutory guarantee period shall apply for all products. This guarantee period shall begin with the delivery or handover of the goods. Should a verifiable material or manufacturing fault occur within this time period, we shall, after carriage paid return to us, view the indicated damage and, if applicable, either repair or deliver a new product at our discretion.



7. Identification.

7.1 EC declaration of conformity

Company Schuchmann GmbH & Co.KG
 Düttestr. 3
 D-49205 Hasbergen
 Tel.: +49 (0) 54 05 / 909 - 0
 Fax: +49 (0) 54 05 / 909 - 109



declares on their sole responsibility that the product named below is classified as product class 1

malte. The compact and versatile posterior walker

Art. No.: 35 00 100 (Size 0 mini) 75 01 000 (Size 1)
 75 02 000 (Size 2) 75 03 000 (Size 3)
 75 04 000 (Size 4)

malte outdoor. The compact and versatile posterior walker for outdoor use

Art. No.: 75 01 100 (Size 1) 75 02 100 (Size 2)
 75 03 100 (Size 3)

the relevant regulations of the guidelines and standards listed below:

- EC Directive 93/42/EEC on medical products from 14th June 1993
- DIN EN 12182:1999 Technical aids for the disabled
- EN ISO 14971 Medical products – Application of risk management
- on medical products
- DIN EN ISO 11199-3:2005 Walking aids manipulated by both arms – Requirements and test methods – Part 3: Walking frames

This declaration of conformity applies only for products with the article numbers stated above and is valid until 31.12.2019.

Date 06.02.2017

Signature

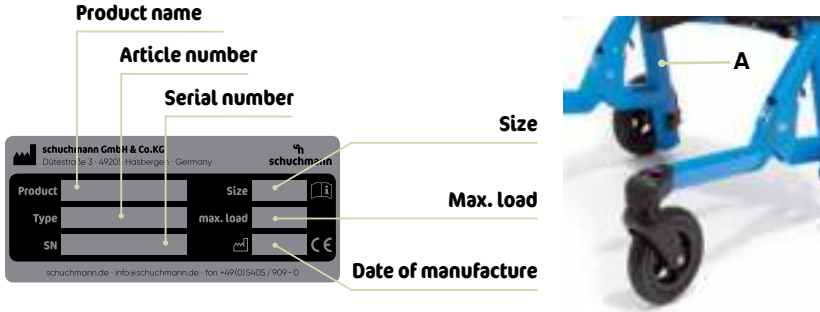
Name Torsten Schuchmann

Role Safety Representative for Medical Products

7. Identification.

7.2 Serial number / date of manufacture

The serial number, the date of manufacture and other information can be found on the type plate, which is located on all of our products (A).



7.3 Product version

The **malte**. posterior walker is available in five sizes; the **malte outdoor**. in three sizes. Both can be supplemented through a diverse range of accessories (see **point 2.6**).

7.4 Issue of the document

Instructions for use **malte. & malte outdoor**. – Change status D; Issue 09.2019

7.5 Name and address of the manufacturer, specialist dealer supplying the product

This product was manufactured by:



Schuchmann GmbH & Co. KG

Dütestraße 3 · 49205 Hasbergen

Tel. +49 (0)5405/909-0 · Fax +49 (0)5405/909-109

info@schuchmann.de · www.schuchmann.de

This product has been delivered by the following specialist dealer:





schuchmann.de